

Pneumatic 12-inch Valve Actuator



Flowrite 12-inch Pneumatic Valve Actuator.

Description

Designed for use with Flowrite valves, the Flowrite 12-inch Pneumatic Valve Actuator is available with two stem strokes, 3/4-inch (20 mm) stroke and 1-1/2-inch (40 mm).

Features

- Completely enclosed actuator housing protects the diaphragm, springs, and start point adjuster
- A positioning relay is available factory-mounted on valve and actuator assemblies or as an accessory
- Field-adjustable start point for sequencing and calibration
- Easy-to-install

Applications

The Flowrite 12-inch Pneumatic Valve Actuator is designed to be used with Flowrite valves in liquid and steam service applications.

A-181

Valves

12-inch Pneumatic Actuator Specifications

Effective Diaphragm Area 90 in.² (580 cm²)
 Diaphragm Material Buna-N
 Nominal Spring Range
 Fixed Span 5 psig (34 kPa)
 Adjustable Start Point 3 to 10 psig (21 to 69 kPa)
 Factory Setting 3 to 8 psig (21 to 55 kPa)
 Nominal Stroke 3/4 or 1-1/2" (20 or 40 mm)

Max. Diaphragm Pressure 35 psig (241 kPa)
 Air Connection 1/4" NPT
 Medium Temperature 25 to 366°F (-4 to 186°C)
 Ambient Operating and Storage Temperature 35 to 180°F (2 to 85°C)
 Mounting Location NEMA 1 (Interior Only)

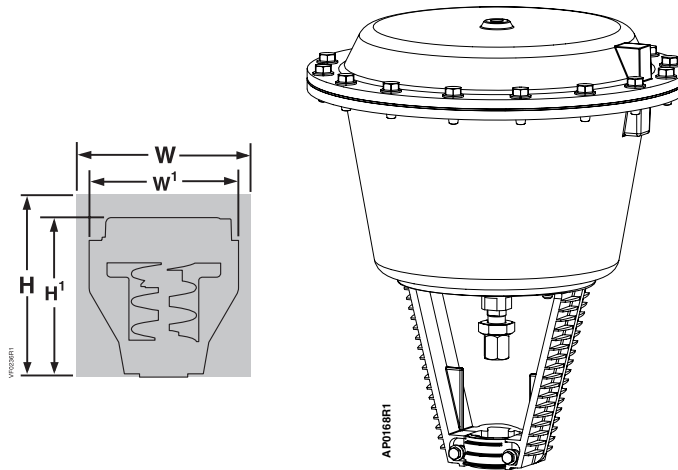
12-inch Pneumatic Actuator Product Ordering

Description	Part No.	Actuator Prefix Code
3/4" Stroke		
Actuator	599-01010	279
Actuator and positioner	599-01010 + 599-00423	285
1-1/2" Stroke		
Actuator	599-01000	281
Actuator and positioner	599-01000 + 599-00423	287

A-182

Valves

Dimensions



Actuator	Height of Actuator H ¹	Service Height H	Width/Diameter of Actuator W ¹	Service Width W
12" (305 mm)	17-7/8" (454 mm)	30" (762 mm)	15-1/8" (384 mm) Dia.	27" (686 mm)

Table Note:

Service height and width are the recommended dimensions to allow access to the product.